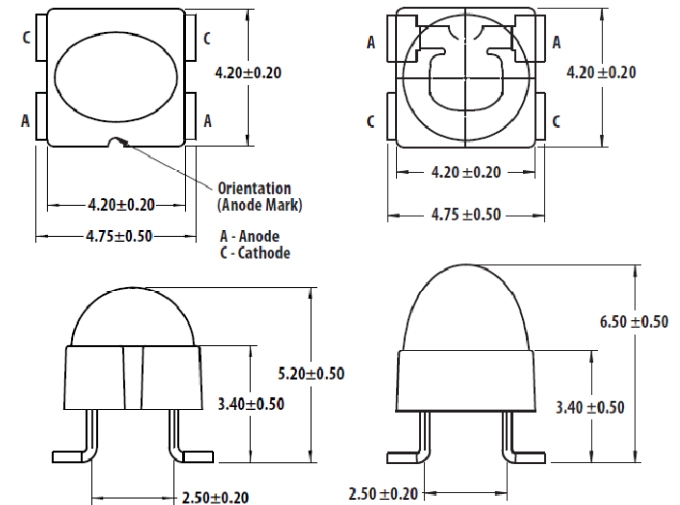


First Surface Mount High Brightness Round and Oval LED Lamps for Electronic Sign Applications



SMT-LAMP: Round & Oval

- High Brightness SMT-Device with Iv match to TH Lamps performance
- Available in Red, Green, Blue & Amber
- Viewing Angle of 40° x 100° suitable for outdoor sign
- Round Lamps in 30° also available
- Tinted package for high contrast
- Surface Mountable LED for Outdoor Sign Application
- Compact Form Factor to enable 12mm cluster to cluster pitch
- MSL 2a



Target Markets & Applications:

- Full Color Signs
- Monochromatic signs
- Highway and variable message signs
- Gas station pricing signs
- Videowall applications for advertising

Product Overview

Color	Part number	Luminous Intensity Iv		Viewing Angle
		min.	max.	
Red	ALMD-EG3D-VX002	4200	9300	30°
Amber	ALMD-EL3D-VX002	4200	9300	30°
Green	ALMD-CM3D-WY002	5500	12000	30°
Blue	ALMD-CB3D-RT002	1500	3200	30°



Color	Part number	Luminous Intensity Iv		Viewing Angle
		min.	max.	
Red	ALMD-LG36-WZ002	1380	2900	40x100°
Amber	ALMD-LL36-WZ002	1380	2900	40x100°
Green	ALMD-LM36-14002	2900	6050	40x100°
Blue	ALMD-LB36-SV002	660	1380	40x100°

Benefits vs. TH Lamps

1. High Brightness SMT-Device with Iv match to TH Lamps performance
2. Available in Tape & Reel package with 1k pcs. per reel
3. Ease of assembly through pick & place and reflow – **quick cycle time, high output**
4. Allow full use of Display Panel PCB - both sides of PCB for components like LED, drivers, controller etc. → this reduces the number of boards needed for system level, and thus **reduces system level thickness, system weight.**
5. Enable use of multiple layer (>2layers)of PCB design for **highly compact circuit design.** (Through Hole – limit to max. of 2 layers)
6. For water proof potting material – **less potting material** will be required
7. Enable **better resolution for FCS**, pixel to pixel pitch 12mm. (Through Hole – limited due to space needed for drivers etc on the same side of the LED panel)

Pricing and Availability:

Avago's ALMD-xx3D and ALMD-Lx36 LED lamps are priced from \$0.24 to \$0.30 each, respectively in minimum quantities of 1,000.

Samples and production quantities are available now through Avago's direct sales channel and worldwide distribution partners.

